

## Technical Data

For detailed data and product description refer to the data sheets at [www.pepperl-fuchs.com](http://www.pepperl-fuchs.com)

### General Data

Rated operating distance	10 mm
Installation	flush
Type of voltage	DC
Operating voltage	10 ... 30 V
No-load supply current	≤ 20 mA
Reverse polarity protection	✓
Switching frequency	0 ... 200 Hz
Operating current	0 ... 200 mA
Short-circuit protection	pulsing
Indication of the switching state	LED, yellow
Ambient temperature	-25 ... 70 °C (-13 ... 158 °F)
Housing material	PBT
Protection degree	IP68 / IP69K
Connection type	cablc PVC , 2 m



## Properties

- Ø30 mm housing
- 10 mm, flush mountable
- DC, 3-wire switching output
- Cable version

### Model Number

Switching element function	NPN	NO	●	●
	PNP	NO	●	●

### Approvals and Certificates

UL approval	cULus Listed, General Purpose	●	●
CSA approval	cCSAus Listed, General Purpose	●	●
CCC approval	Products with a maximum operating voltage of ≤36 V do not bear a CCC marking because they do not require approval.		

### Dimensions

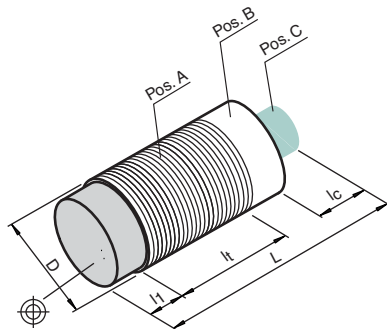
Length L [mm]	52
Diameter D [mm]	30
Thread length l <sub>t</sub> [mm]	48
Cap length l <sub>1</sub> [mm]	1
Connector area l <sub>c</sub> [mm]	0
LED position	Pos. C

## Accessories

This and more accessories can be found in chapter 10  
See pages from 972 ... for cordsets      See pages 1068 ... for mounting aids

**BF 30**

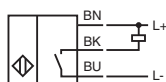
Mounting flange, 30 mm



## Electrical Connection



NBB10-30GK50-E0



NBB10-30GK50-E2

